



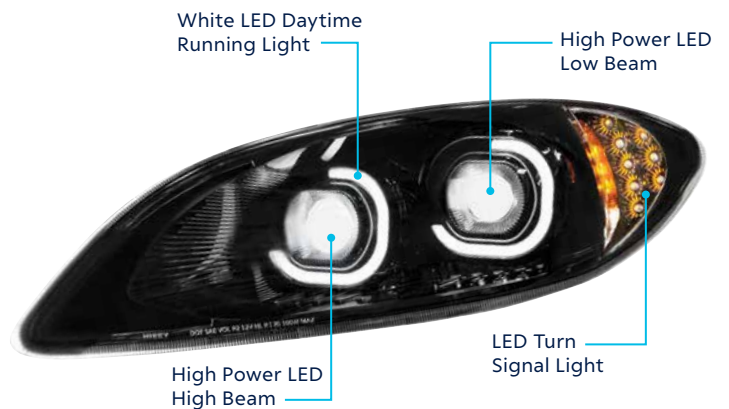
High Power LED Projection Headlight W/ Turn Signal & DRL

2006-2017 International Prostar

**COMPETITION
SERIES**

- Features single white CREE type LED on both high beam and low beam
- Bright DRL with 92 white CREE type LEDs
- LED turn signal with 6 CREE type amber LEDs
- Easy installation, simply plugs into existing factory LED equipped wiring harness connector
- DOT/SAE, FMVSS 108
- Low beam: 1200 lumens, 6000K, 2.5 Amps, 12V DC input
- High beam: 1200 lumens, 6000K, 2.5 Amps, 12V DC input

35867	Chrome	Driver	1 Pc. / Cbox
35868	Chrome	Passenger	1 Pc. / Cbox
35869	Blackout	Driver	1 Pc. / Cbox
35870	Blackout	Passenger	1 Pc. / Cbox



T 866.327.5288 | F 888.986.6088 | UPtruckparts.com

BACK IN STOCK

ULTRALIT™

4"x6" LED Headlight With Dual Function 6 Amber LED Position Lights - High Beam

ULTRALIT

- Improves visibility with whiter light output that is closer to daylight
- Impact resistant polycarbonate lens provides unparalleled protection from road hazards
- Solid state design resists shock and vibration
- Die-cast aluminum housing provides maximum protection from the elements
- Load resistor may be required for proper installation, item # 34205
- Application: 12-24V DC input 0.35 amps/8.5 watt
- High beam module only

31238 4"x6" Headlight / 6 Amber LED 1 Pc. / Cbox



- DUAL FUNCTION**
LED Position Light Bar
LED Turn Signal
- DOT & SAE**
- High Beam**
- Die-cast Aluminum**



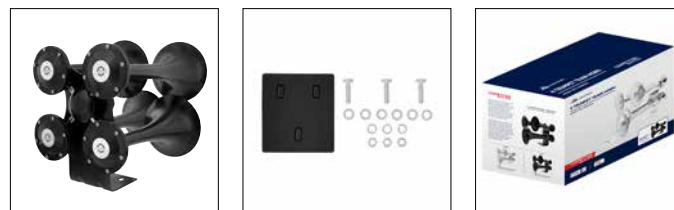
COMPETITION SERIES

Black 4 Trumpets Air Powered Train Horn

Competition Series

- 4 trumpet train horn, competition series, super loud
- Super loud sound output: 155db +/- 10db
- 12V heavy duty electric air solenoid included
- Includes mounting pad & hardware
- Air Pressure: 150 PSI maximum

46158 Black 1 Pc. / Cbox



FLYER: UF220625



**48 LED Chrome Mirror Cover
With Sequential LED**

2005-2010 Freightliner Century & 2005-2020 Columbia

- Quality injection molded plastic for durability
- Chrome plated finish with triple chrome plating process
- Features 48 bright amber LEDs with energy efficient 12V DC electronics
- Unique sequential turn signal function with converging sequencing action
- Extra long wiring harness with easy to read wire tags for straight forward electrical hook up
- Simple mirror cover replacement with original style mounting tabs and mounting holes



42230	Driver	1 Pc. / Card
42231	Passenger	1 Pc. / Card



**59 LED Chrome Mirror Cover
With Sequential LED**

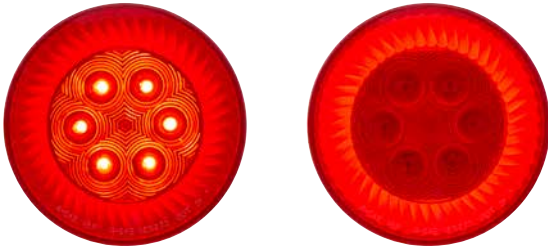
2012-2022 Volvo VNL

- Quality injection molded plastic for durability
- Chrome plated finish with triple chrome plating process
- Feature 50 bright amber LEDs with energy efficient 12V DC electronics
- Unique sequential turn signal function with converging sequencing action
- Additional 9 downward facing white LEDs as puddle light
- Extra long wiring harness with easy to read wire tags for straight forward electrical hook up
- Simple mirror cover replacement with original style mounting tabs
- Fits both 2nd and 3rd generation Volvo VNL mirror with and without mirror arm aero cover
- Install note: removal of the main and auxiliary mirror is required



42232	Driver	1 Pc. / Card
42233	Passenger	1 Pc. / Card

FLYER: UF220625



with Visor

with Grommet



Turbine Light

Stainless Rear Center Panel With Four 4" 16 LED Turbine Lights

Turbine Light

- 430 stainless steel grade for durability and shine
- 33-3/4" wide panel with four UP LED Turbine lights pre-installed and pre-wired internally
- Each 4" light features 13 bright LEDs with fully sealed housing
- Includes LED license light, chrome license frame with bullet fastener
- Enclosed design with removable steel back panel



35005 Red LED/Red Lens with Visor 1 Pc. / Cbox

35008 Red LED/Red Lens with Grommet 1 Pc. / Cbox



Abyss Light™

Stainless Rear Center Panel With Four 13 LED 4" Abyss Lights & Visors

Abyss Light

- 430 stainless steel grade for durability and shine
- 33-3/4" wide panel with four UP LED Abyss lights pre-installed and pre-wired internally
- Each 4" light features 13 bright LEDs with fully sealed housing
- Includes LED license light, chrome license frame with bullet fastener
- Enclosed design with removable steel back panel



35003 Red LED/Red Lens with Visor 1 Pc. / Cbox

35004 Red LED/Clear Lens with Visor 1 Pc. / Cbox

35006 Red LED/Red Lens with Grommet 1 Pc. / Cbox

35007 Red LED/Clear Lens with Grommet 1 Pc. / Cbox



with Visor

with Grommet



Turbine Light

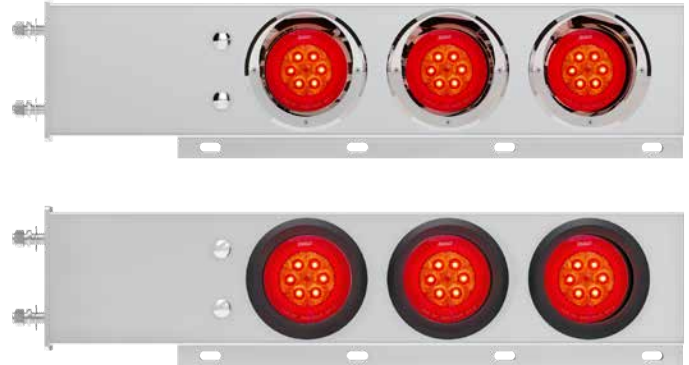
3-3/4" Bolt Pattern SS Spring Loaded Bar With Six 4" 16 LED Turbine Lights

Turbine Light

- Highly polished 430 stainless steel finish for durability and shine
- Pre-assembled and wiring with six unique United Pacific LED Turbine lights
- 3-3/4" Center to center mounting bolt pattern

61008 Red LED/Red Lens with Visor 1 Pc. / Cbox

61011 Red LED/Red Lens with Grommet 1 Pc. / Cbox



Abyss Light™

3-3/4" Bolt Pattern SS Spring Loaded Bar With Six 4" 13 LED Abyss Lights

Abyss Light

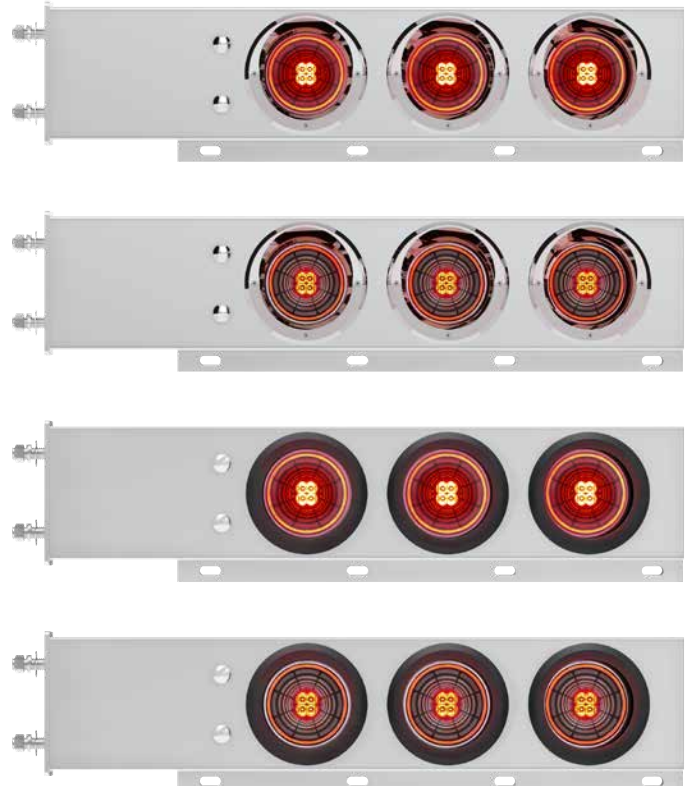
- Highly polished 430 stainless steel finish for durability and shine
- Pre-assembled and wired with six unique United Pacific LED Abyss lights
- 3-3/4" Center to center mounting bolt pattern

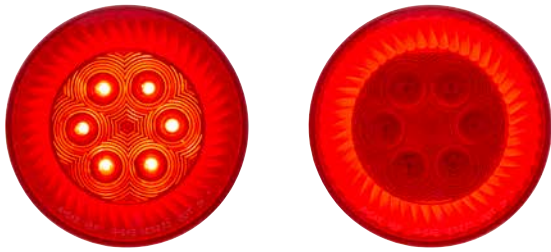
61006 Red LED/Red Lens with Visor 1 Pc. / Cbox

61007 Red LED/Clear Lens with Visor 1 Pc. / Cbox

61009 Red LED/Red Lens with Grommet 1 Pc. / Cbox

61010 Red LED/Clear Lens with Grommet 1 Pc. / Cbox





with Visor

with Grommet

Turbine Light

2" Bolt Pattern SS Spring Loaded Bar With Six 4" 16 LED Turbine Lights

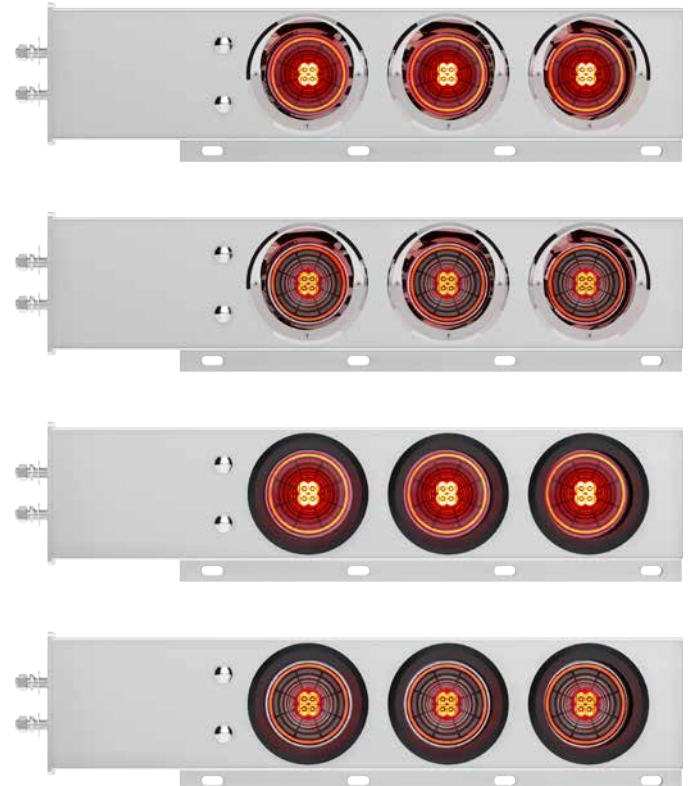
Turbine Light

- Highly polished 430 stainless steel finish for durability and shine
- Pre-assembled and wired with six unique United Pacific LED Turbine lights
- 2" Center to center mounting bolt pattern



61020 Red LED/Red Lens with Visor 1 Pc. / Cbox

61023 Red LED/Red Lens with Grommet 1 Pc. / Cbox



Abyss Light™

2" Bolt Pattern SS Spring Loaded Bar With Six 4" 13 LED Abyss Lights

Abyss Light

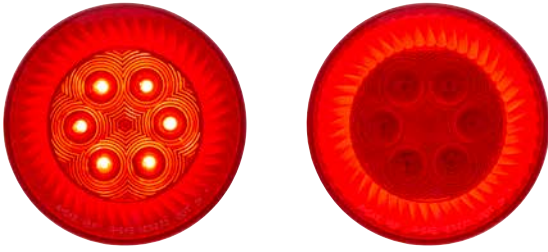
- Highly polished 430 stainless steel finish for durability and shine
- Pre-assembled and wired with six unique United Pacific LED Abyss lights
- 3-3/4" Center to center mounting bolt pattern

61018 Red LED/Red Lens with Visor 1 Pc. / Cbox

61019 Red LED/Clear Lens with Visor 1 Pc. / Cbox

61021 Red LED/Red Lens with Grommet 1 Pc. / Cbox

61022 Red LED/Clear Lens with Grommet 1 Pc. / Cbox



with Visor

with Grommet

Turbine Light

3-3/4" Bolt Pattern CR Spring Loaded Bar With Six 4" 16 LED Turbine Lights

Turbine Light

- Highly polished chrome finish for durability and shine
- Pre-assembled and wired with six unique United Pacific LED Turbine lights
- 3-3/4" Center to center mounting bolt pattern

61032	Red LED/Red Lens	with Visor	1 Pc. / Cbox
61035	Red LED/Red Lens	with Grommet	1 Pc. / Cbox



Abyss Light™

3-3/4" Bolt Pattern CR Spring Loaded Bar With Six 4" 13 LED Abyss Lights

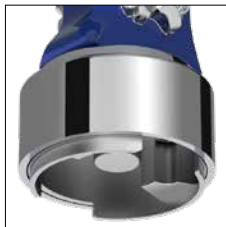
Abyss Light

- Highly polished chrome finish for durability and shine
- Pre-assembled and wired with six unique United Pacific LED Abyss lights
- 3-3/4" Center to center mounting bolt pattern

61030	Red LED/Red Lens	with Visor	1 Pc. / Cbox
61031	Red LED/Clear Lens	with Visor	1 Pc. / Cbox
61033	Red LED/Red Lens	with Grommet	1 Pc. / Cbox
61034	Red LED/Clear Lens	with Grommet	1 Pc. / Cbox

9/10 Speed

13/15/18 Speed

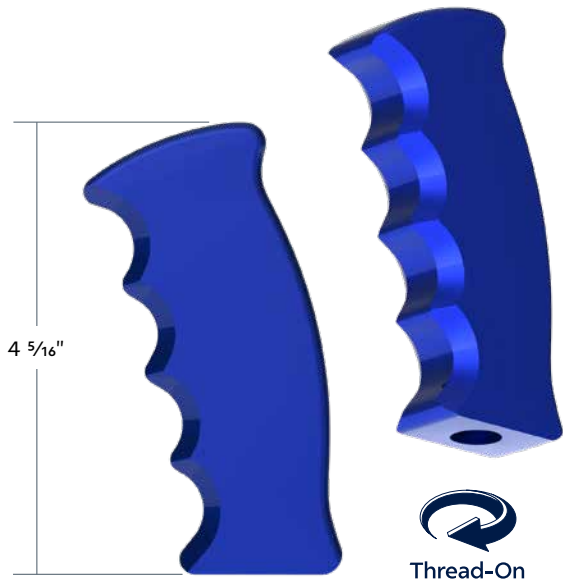


Thread-On Pistol Grip Gearshift Knob W/ Chrome Skulls & Speed Adapter

Pistol Grip W/ Chrome Skulls & Speed Adapter

- Highly detailed 3-dimensional skulls with chrome plating
- Made of quality zinc/aluminum casting
- Machined 1/2"-13 threads
- Includes chrome plated gearshift adapter
- Premium automotive painted main handle area
- Not compatible with models equipped with D-shape shift knobs
- Removable thread lock included to prevent loosening of shift

70835	Indigo Blue	9/10 Speed Adapter	1 Pc. / Each
70836	Candy Red	9/10 Speed Adapter	1 Pc. / Each
70844	Indigo Blue	13/15/18 Speed Adapter	1 Pc. / Each
70845	Candy Red	13/15/18 Speed Adapter	1 Pc. / Each

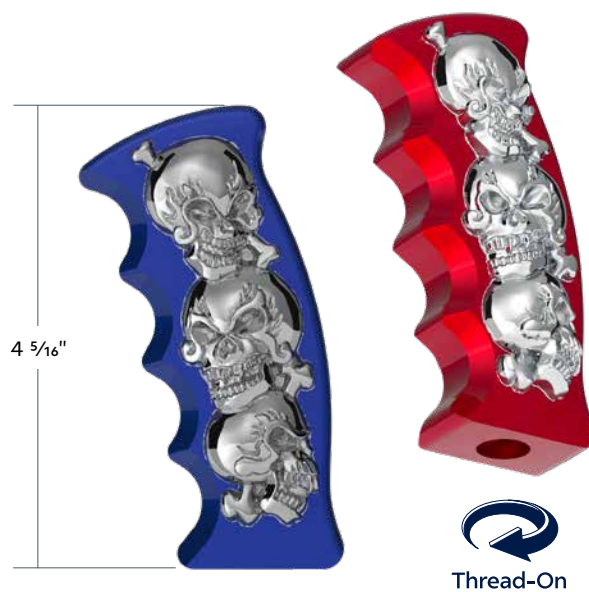


Indigo Blue Thread-On Pistol Grip Gearshift Knob

Pistol Grip

- Made of quality aluminum casting
- Machined 1/2"-13 female threads
- Works with any adapter or shifter rod with 1/2"-13 male threads

70809B	Indigo Blue Pistol Grip	1 Pc. / Each
---------------	-------------------------	--------------



Thread-On Pistol Grip Gearshift Knob W/ Chrome Skulls

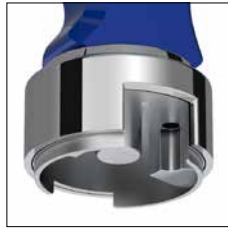
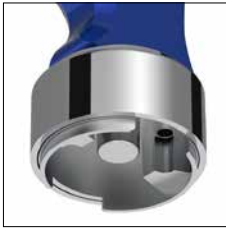
Pistol Grip W/ Chrome Skulls

- Highly detailed 3-dimensional skulls in chrome finish
- Made of quality aluminum casting
- Machined 1/2"-13 female threads
- Works with any adapter or shifter rod with 1/2"-13 male threads

70814B	Indigo Blue W/ Chrome Skulls	1 Pc. / Each
70815B	Candy Red W/ Chrome Skulls	1 Pc. / Each

9/10 Speed

13/15/18 Speed



Indigo Blue Thread-On Pistol Grip Gearshift Knob With Chrome Speed Adapter

Pistol Grip With Speed Adapter

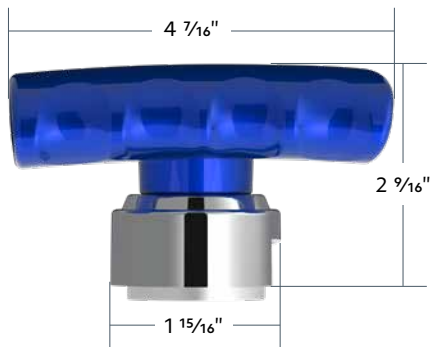
- Made with quality die-cast aluminum
- Features chrome 1/2"-13 thread-on adapter base for Eaton Fuller type shifter
- Machined 1/2"-13 thread for smooth installation
- Premium automotive painted main handle area
- Removable thread lock included to prevent loosening of gearshift
- Not compatible with models equipped with D-shape gearshift knobs

70832 Indigo Blue 9/10 Speed Adapter 1 Pc. / Each

70841 Indigo Blue 13/15/18 Speed Adapter 1 Pc. / Each



13/15/18 Speed

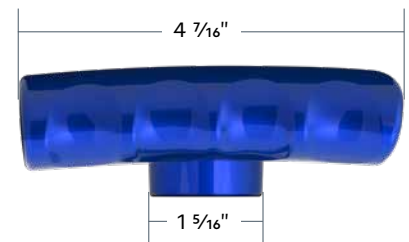
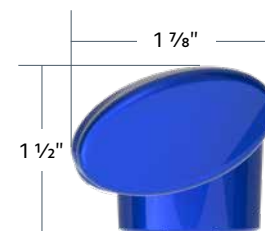
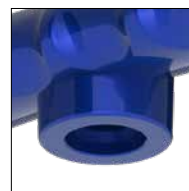


Indigo Blue Thread-On T-Shape Gearshift Knob With Chrome 13/15/18 Speed Adapter

T-Shape Gearshift With 13/15/18 Speed Adapter

- Made with quality die-cast aluminum
- Features chrome 1/2"-13 thread-on adapter base for Eaton Fuller type shifter
- Machined 1/2"-13 thread for smooth installation
- Removable thread lock included to prevent loosening of shift
- Not compatible with models equipped with D-shape shift knobs

70847 Indigo Blue T-Shape w/ Adapter 1 Pc. / Each

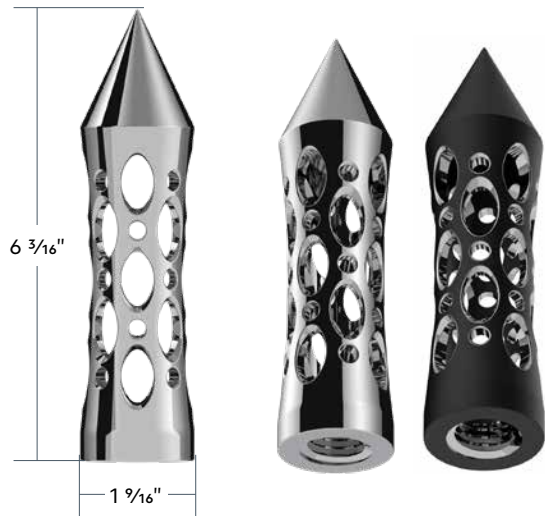


Indigo Blue Thread-On T-Shape Gearshift Knob

T-Shape Gearshift

- Made with quality die-cast aluminum
- Machined 1/2"-13 thread for smooth installation
- Removable thread lock included to prevent loosening of shift
- Designed to work on Eaton Fuller shifters with UP shift knob adapter #70589B (13/15/18 speed) or 70799B (9/10 speed).
- May also work with other adapters with 1/2"-13 thread

70817B Indigo Blue T-Shape 1 Pc. / Each

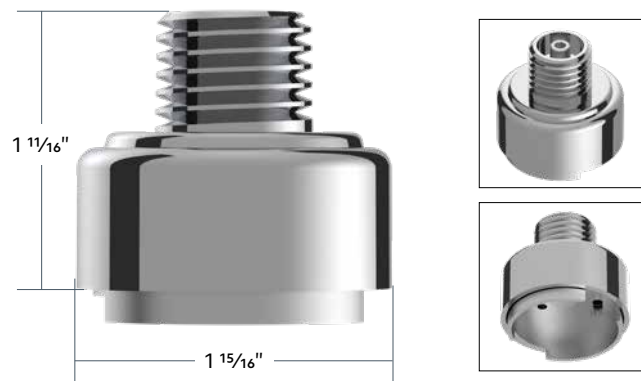


M30X3.5 Thread-On Daytona Style Spike Gearshift Knob

Daytona Style

- High quality, CNC machined aluminum with M30X3.5 female threads
- Removable thread locking sealant included
- Designed to work with any M30X3.5 male threaded adapters

70783B Chrome	1 Pc. / Each
70819B Black	1 Pc. / Each



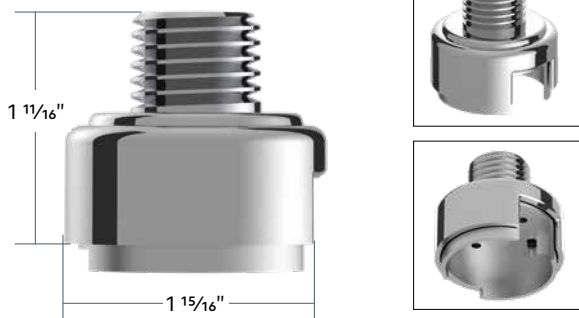
M30X3.5 Thread-On Gearshift Knob Chrome Mounting Adapter

Eaton Fuller Style

- Quality die-cast zinc thread-on type adapter with high quality chrome plating
- Fits United Pacific shift knobs or handles with M30X3.5 female thread
- Includes inner mounting base with cover-to-base mounting screw
- Not compatible with models equipped with D-shape shift knobs
- Includes 13/15/18 speed inner mounting base with cover-to-base mounting screw

70777B 9/10 Shifter (Bulk)	1 Pc. / Each
-----------------------------------	--------------

13/15/18 Speed



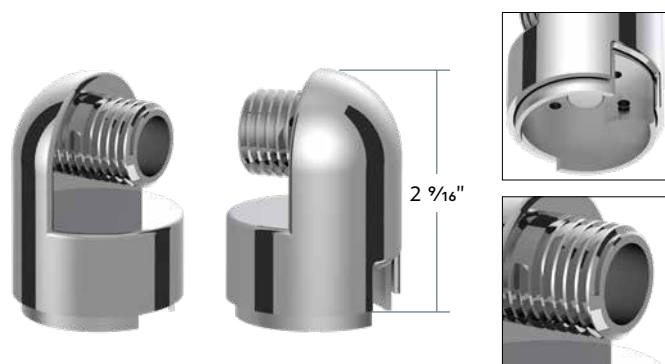
M30X3.5 Thread-On Gearshift Knob Chrome Mounting Adapter

Eaton Fuller Style

- Quality die-cast zinc thread-on type adapter with high quality chrome plating
- Fits United Pacific shift knobs or handles with M30X3.5 female thread
- Includes inner mounting base with cover-to-base mounting screw
- Not compatible with models equipped with D-shape shift knobs
- Includes 13/15/18 speed inner mounting base with cover-to-base mounting screw

70776B 13/15/18 Shifter (Bulk)	1 Pc. / Each
---------------------------------------	--------------

13/15/18 Speed



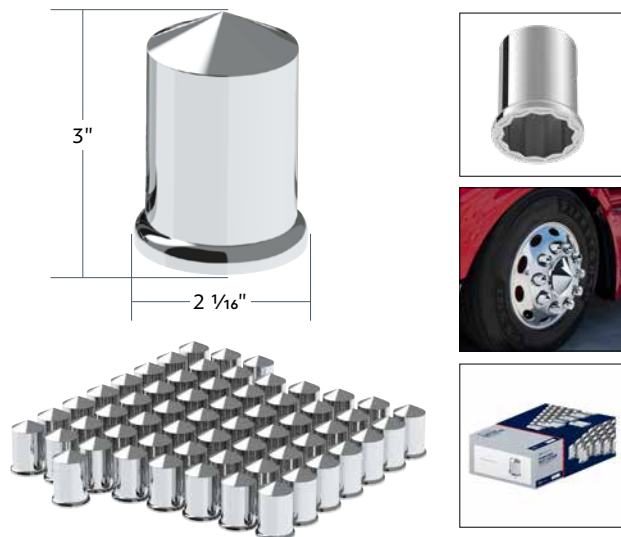
M30X3.5 Thread-On Gearshift Horizontal Chrome Mounting Adapter

13/15/18 Speed Transmission

- Quality zinc die-cast with beautiful chrome finish
- Fits United Pacific CNC machined thread-on type grip shift knobs
- Fits United Pacific shift knobs or handles with M30X3.5 female thread
- Not compatible with models equipped with D-shape shift knobs

70779B 13/15/18 Speed Transmission (Bulk)	1 Pc. / Each
--	--------------

60 PCS. CONVENIENCE PACK



1.5\"/>

- Chrome plated finish with triple chrome plating process
- Quality plastic injection molded
- Designed to cover up and hide the lug nut flange washer
- Convenience pack, includes 60 nut covers

10011CB Chrome Plastic Pointed Nut Cover 60 Pc. / Cbox

10 PCS. CONVENIENCE PACK

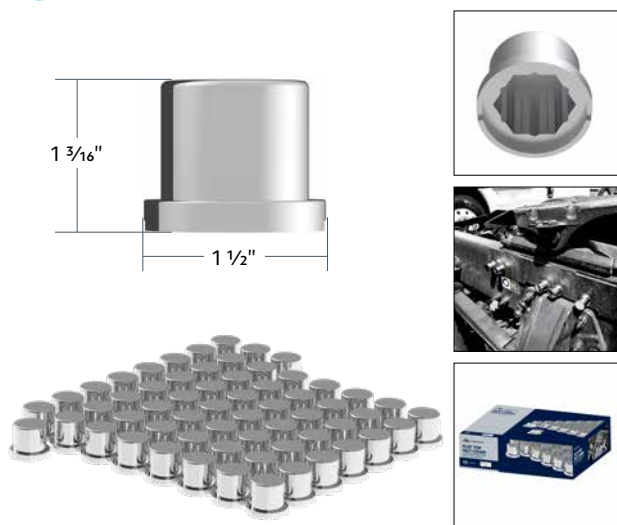


3/4\"/>

- Chrome plated finish with triple chrome plating process.
- Chrome plastic flat top push-on nut cover for hex nuts and bolts
- Available in various sizes and height
- Available without flange
- Convenience pack, includes 10 nut covers to dress up one wheel

10756 Chrome Plastic Flat Nut Cover 10 Pc. / Cbox

60 PCS. CONVENIENCE PACK

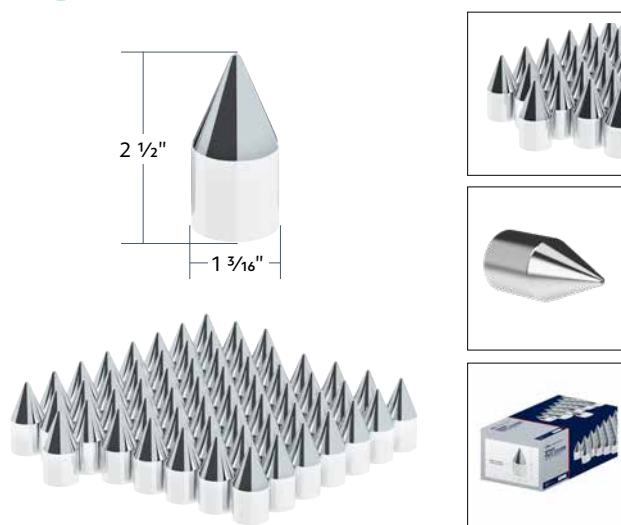


15/16\"/>

- Chrome plated finish with triple chrome plating process
- Chrome plastic flat top push-on nut cover for hex nuts and bolts
- Available in various sizes and height
- Convenience pack, includes 60 nut covers

10757CB Chrome Plastic Pointed Nut Cover 60 Pc. / Cbox

60 PCS. CONVENIENCE PACK



15/16\"/>

- Chrome plated finish with triple chrome plating process
- Chrome plastic flat top push-on nut cover for hex nuts and bolts
- Available in various sizes and height
- Convenience pack, includes 60 nut covers

10767CB Chrome Plastic Pointed Nut Cover 60 Pc. / Cbox

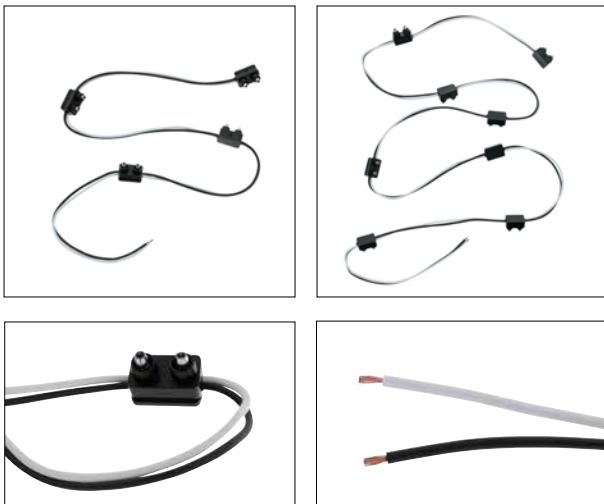


Black Tow Hook Access Covers

2018-2022 Freightliner Cascadia

- Quality injection molded plastic for durability
- Original style for straight forward clip-on install
- Feature lanyard attachment to bumper

42525	Pair	2 Pc. / Wbox
42526	Driver	1 Pc. / Wbox
42527	Passenger	1 Pc. / Wbox



2-Prong Plug Wiring Harness With 6" Lead Between Plugs

Wiring Harness

- Waterproof over-molded plug housing
- Quality insulated 16 gauge wire
- Pre-cut with different number of plugs, all with 6" wire lead inbetween, and pre-stripped wire end

34242-4	Wiring Harness 4 Plugs	1 Pc. / Each
34242-8	Wiring Harness 8 Plugs	1 Pc. / Each



Chrome Switch Cover (3-Pack)

Kenworth T680/T880/W990

- Beautiful high quality chrome plated finish with triple chrome plating process
- Double sided tape on back for easy installation

41452	Chrome Switch Cover	3 Pc. / Card
--------------	----------------------------	--------------